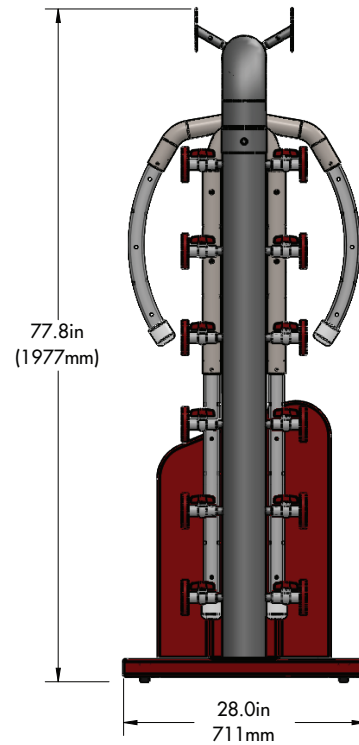




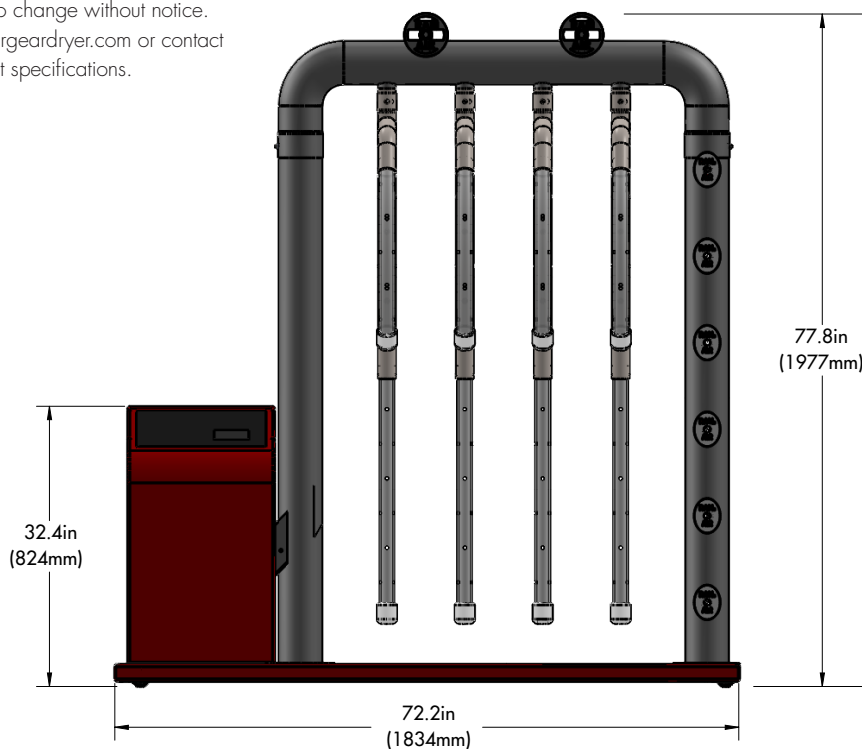
RAM AIR GEAR DRYER SPECIFICATIONS

MODEL TG-4, TG-4H

	TG-4	TG-4H
Max Number of Gear Sets	4	
Number of Accessory Drying Ports	12	
Machine Dimensions (WxDxH)	72.2 x 28 x 77.8 in (1834 x 711 x 1977 mm)	
Shipping Dimensions (WxDxH)	75 x 30 x 40 in (1905 x 762 x 1016 mm)	
Machine Weight	303 lbs (137.4 kg)	311 lbs (141 kg)
Shipping Weight	362 lbs (164.2 kg)	370 lbs (167.8 kg)
Construction Material	stainless steel/12 gauge steel/powder coated paint	
Caster Type	360° swivel	
Motor Power	1 HP	
Motor Speed	3450 rpm	
Air Flow	800 cfm	
Available Voltages (Volts/Hertz/Phase)	120/60/1	220/60/1 (208/60/3 upon request)
Breaker Size Required	15 Amp	20 Amp
Fan Diameter	10-5/8 inch (270 mm)	
Fan Wheel Bore	5/8 inch (16 mm)	
Max Temperature	N/A	105° F
Control Type	Touchscreen	



Specifications subject to change without notice.
Please visit www.ramairgeardryer.com or contact
Ram Air for most current specifications.



QUESTIONS? CONTACT US. 888-393-3379 | www.ramairgeardryer.com