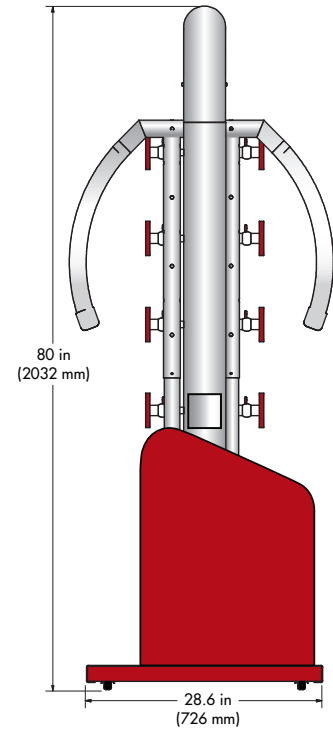




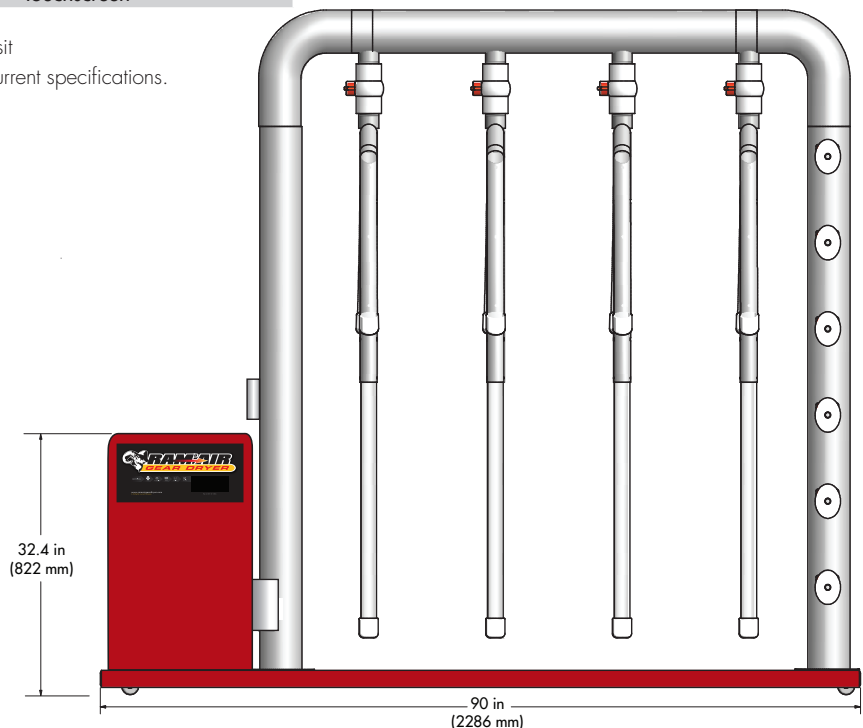
RAM AIR GEAR DRYER SPECIFICATIONS

MODELS T4-HMU

	T4-HMU
Max Number of Gear Sets	4
Number of Accessory Drying Ports	12
Machine Dimensions (WxDxH)	90-1/8 x 28 x 80 in (2289 x 711 x 2032 mm)
Shipping Dimensions (WxDxH)	93 x 30 x 39-1/2 in (2362 x 762 x 1003 mm)
Machine Weight	363.5 lbs (164.9 kg)
Shipping Weight	411.5 lbs (186.7 kg)
Construction Material	12 gauge steel/powder coated paint
Shut-off Valve Diameter	2 in (51mm)
Caster Type	360° swivel
Hose Barb Attachment Diameter	4- or 6-inch (102 or 152 mm)
Motor Power	1 HP
Motor Speed	3450 rpm
Air Flow	800 cfm
Available Voltages (Volts/Hertz/Phase)	220/60/1
Fan Diameter	10-5/8 inch (270 mm)
Fan Wheel Bore	5/8 inch (16 mm)
Thermal Protection	115 volts
Max Temperature	103° F
Control Type	Touchscreen



Specifications subject to change without notice. Please visit www.ramairgeardryer.com or contact Ram Air for most current specifications.



QUESTIONS? CONTACT US. 855-393-3379 (USA) | 888-393-3379 (Canada) | www.ramairgeardryer.com