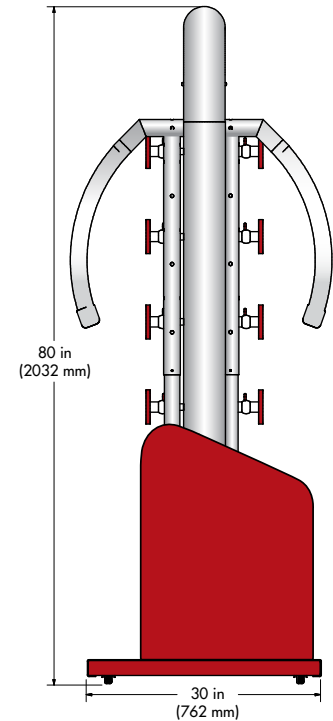




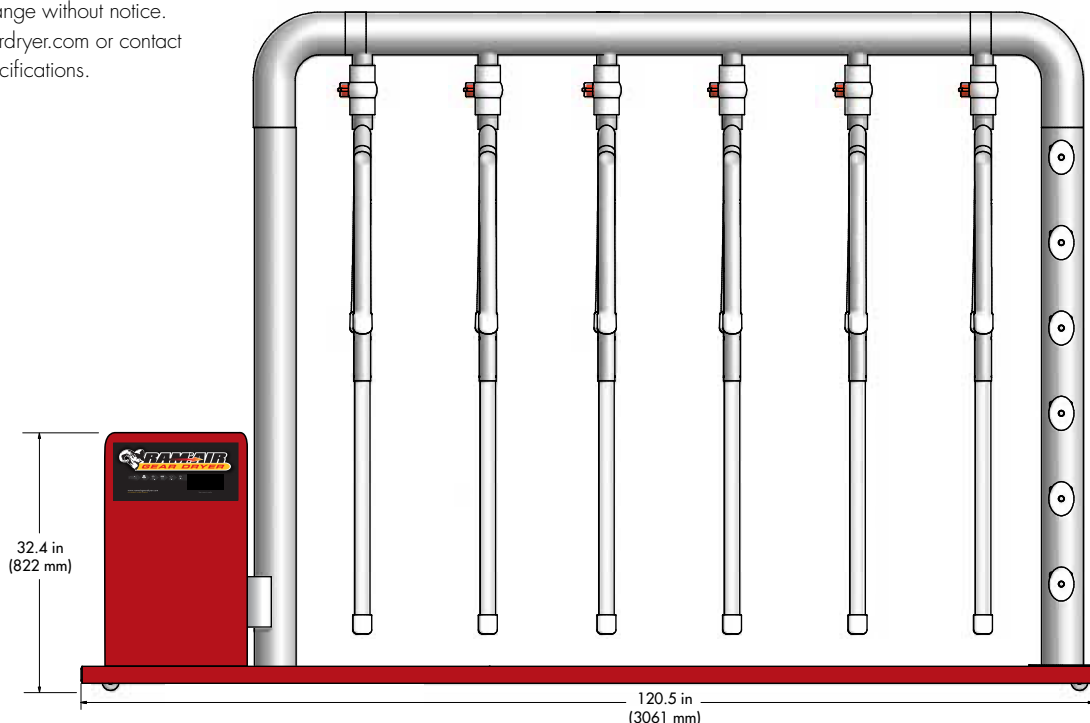
RAM AIR GEAR DRYER SPECIFICATIONS

MODEL T6-MU

	T6-MU
Max Number of Gear Sets	6
Number of Accessory Drying Ports	18
Machine Dimensions (WxDxH)	120-1/4 x 28 x 80 in (3054 x 711 x 2032 mm)
Shipping Dimensions (WxDxH)	123-1/4 x 30 x 39-1/2 in (3131 x 762 x 1003 mm)
Machine Weight	458 lbs (207.8 kg)
Shipping Weight	527 lbs (239 kg)
Construction Material	12 gauge steel/powder coated paint
Shut-off Valve Diameter	2 in (51mm)
Caster Type	360° swivel
Hose Barb Attachment Diameter	4- or 6-inch (102 or 152 mm)
Motor Power	1 HP
Motor Speed	3450 rpm
Air Flow	800 cfm
Available Voltages (Volts/Hertz/Phase)	1240/60/1
Fan Diameter	10-5/8 inch (270 mm)
Fan Wheel Bore	5/8 inch (16 mm)
Thermal Protection	115 volts
Control Type	Touchscreen



Specifications subject to change without notice.
Please visit www.ramairgeardryer.com or contact
Ram Air for most current specifications.



QUESTIONS? CONTACT US. 855-393-3379 (USA) | 888-393-3379 (Canada) | www.ramairgeardryer.com