



## How clean and dry is your gear?

### High Pressure, Direct Drive Radial Blade Blowers



Uses: Ideal for small ducted dust exhaust systems and wherever dust collection bags are necessary.

- Welded 16-gauge steel housings
- Gray baked-on epoxy finish
- Maximum inlet temperature is 180°F
- Motor packed separately when ordered

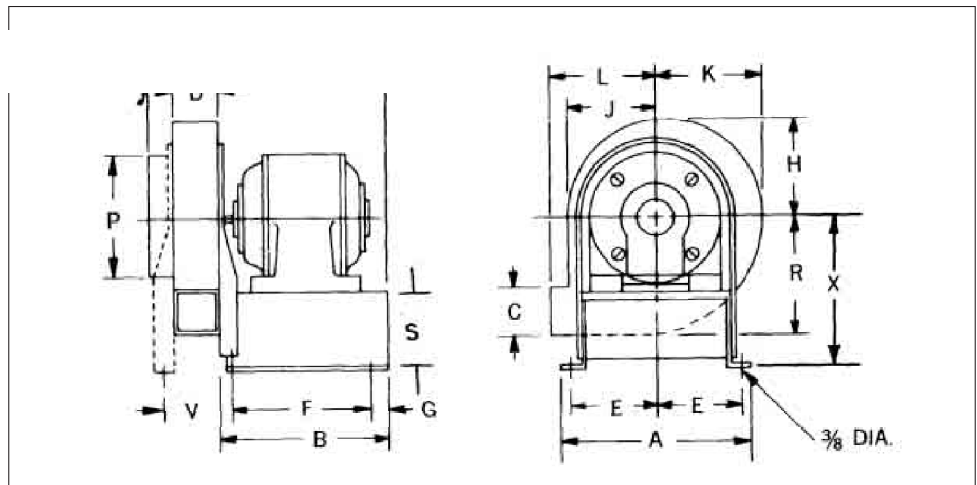
**WARNING: Not intended for use where flammable or explosive gases, vapors, or dust are present.**

Note: Review OSHA Codes. OSHA complying guards are required when fan blades are exposed and within reach of personnel.

Dayton Electric Mfg. Co. certifies that the blowers shown herein are licensed to bear the AMCA Seal. The ratings shown are based on tests and procedures performed in accordance with AMCA Publication 211 and AMCA Publication 311 and comply with the requirements of the AMCA Certified Ratings Program.



The A weighted sound ratings shown have been calculated per AMCA Standard 301. Values shown for blowers are for (inlet Lwi) sound levels for: Installation Type B: free inlet, ducted outlet. Ratings do not include the effects of duct end correction.



A	B	C	D	E	F	G	Dimensions (In.)		K	L	O	P	R	S†	V	X-Adj. Min. (In.)	X-Adj. Max. (In.)
							H	J									
14%	9	4	3½	6%	7½	¾	7¼	6½	8	7%	14	6	8%	8¼	—	11%	12%